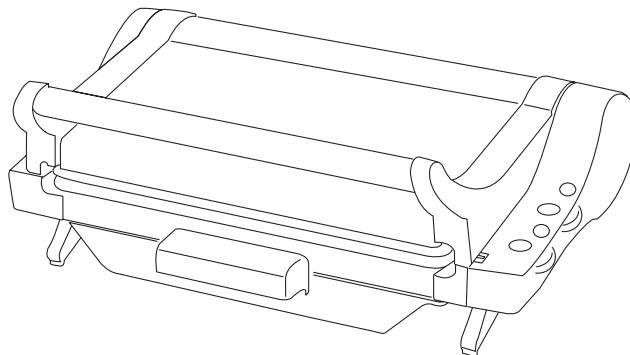

**GRIGLIA A CONTATTO
CONTACT-GRILL
GRILL A CONTACT
TISCHGRILL
KONTAKGRILL
PARILLA A CONTACTO
GRELHADOR DE CONTACTO
ΤΟΣΤΙΕΡΑ
KONTAKGRILL
KONTAKTGRILL
MOINITOIMIPARILA
ГРИЛЬ
KONTAKTNÍ GRIL
OPIEKACZ
KONTAKTRENDSZERŰ GRILLSÜTŐ**



**Istruzioni per l'uso
Instructions for use
Mode d'emploi
Gebrauchsanweisung
Gebruiksaanwijzing
Instrucciones para el uso
Instruções de uso
ΟΔΗΓΙΕΣ ΧΡΗΣΗΣ
Bruksveiledning
Bruksanvisning
Käyttöohje**

ИНСТРУКЦИИ ПО ЭКСПЛУАТАЦИИ

NÁVOD K POUŽITÍ

INSTRUKCJA OBSŁUGI

Kezelési utasítás



ME 28

ELECTRICAL CONNECTION (UK ONLY)

- A) If your appliance comes fitted with a plug, it will incorporate a 13 Amp fuse. If it does not fit your socket, the plug should be cut off from the mains lead, and an appropriate plug fitted, as below.

WARNING: Very carefully dispose of the cut off plug after removing the fuse: do not insert in a 13 Amp socket elsewhere in the house as this could cause a shock hazard.

With alternative plugs not incorporating a fuse, the circuit must be protected by a 15 Amp fuse.

WARNING - THIS APPLIANCE MUST BE EARTHED

IMPORTANT

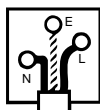
The wires in the mains lead are coloured in accordance with the following code:

Green and yellow:

Blue:

Brown:


Earth
Neutral
Live



If the plug is a moulded-on type, the fuse cover must be re-fitted when changing the fuse using a 13 Amp Asta approved fuse to BS 1362. In the event of losing the fuse cover, the plug must NOT be used until a replacement fuse cover can be obtained from your nearest electrical dealer. The colour of the correct replacement fuse cover is that as marked on the base of the plug.

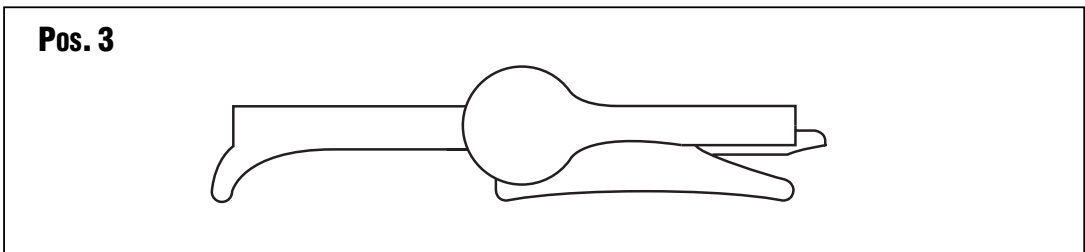
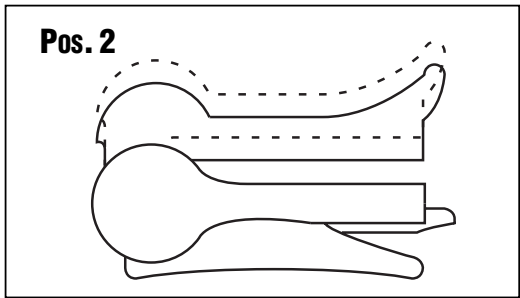
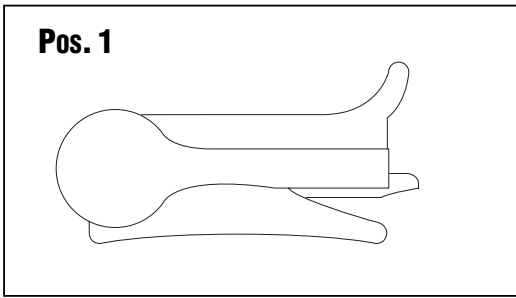
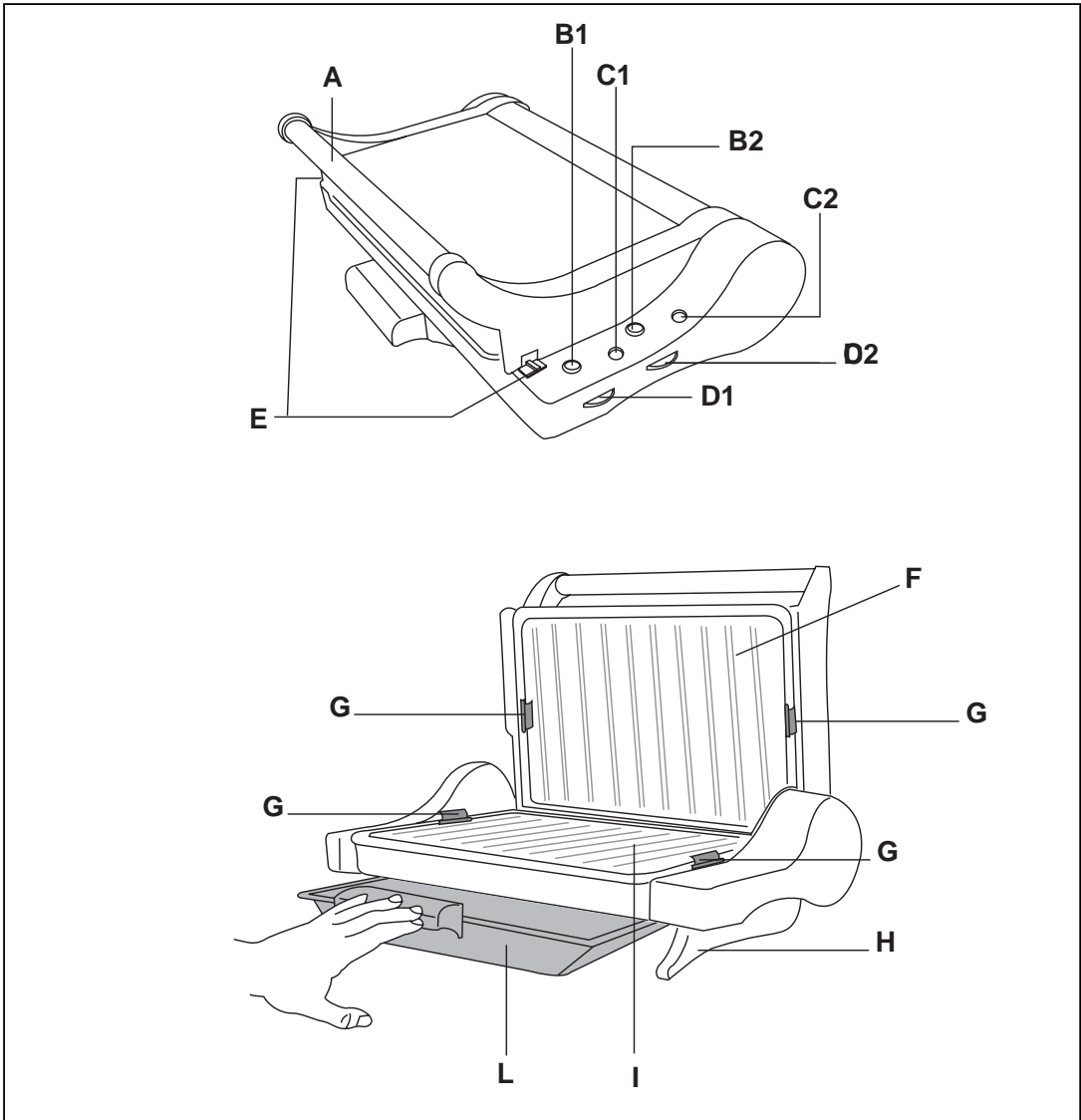
- B) If your appliance is not fitted with a plug, please follow the instructions provided below:

As the colours of the wires in the mains lead may not correspond with the coloured markings identifying the terminals in your plug, proceed as follows:

The green and yellow wire must be connected to the terminal in the plug marked with the letter E or the earth symbol  or coloured green or green and yellow.

The blue wire must be connected to the terminal marked with the letter N or coloured black.

The brown wire must be connected to the terminal marked with the letter L or coloured red.



IMPORTANT WARNINGS

- **To avoid errors and obtain the best possible results, read the warnings carefully before using the steak grill.**
- This appliance is designed to cook food. It must never be used for other purposes, modified or tampered with in any way.
- Make sure the power cable is not in contact with hot parts of the appliance when in operation.
- Before use, wash the two non-stick grill plates thoroughly.
- Ensure the grill plates are completely dry before replacing.
- Do not leave the appliance within reach of children or unattended while in operation.
- Unplug from the mains socket:
 - before putting away or removing the plates.
 - before cleaning or maintenance
 - immediately after use
- Use extensions conforming to current safety regulations only.
- Do not use the appliance outdoors. The power cable of this appliance must not be replaced by the user as this requires the use of special tools. If it is damaged, contact a Customer Service Centre appointed by the manufacturer.
- Never unplug the appliance by pulling the power cable.
- Never use the appliance without the grill plates.
- Never use the appliance without the drip tray L.
- Never immerse the appliance in water.
- Wait until the appliance is completely cool before putting away.
- Never touch the plates with sharp utensils to avoid damaging the coating.
- Important: when in operation, external surfaces could become very hot.

This appliance complies with directive EN 55014 on radio interference suppression.

DESCRIPTION

- | | |
|--|---|
| A Cool touch handgrip | F Removable non-stick top grill plate (reversible in model CG660) |
| B1 Top plate function indicator | G Grill plate removal catches |
| C1 Top plate on indicator | H Base |
| D1 Adjustable top plate thermostat | I Removable non-stick bottom grill plate (reversible in model CG660) |
| B2 Bottom plate function indicator | L Drip tray |
| C2 Bottom plate on indicator | |
| D2 Adjustable bottom plate thermostat | |
| E Grill closure catch | |

INSTALLATION

- Before use, make sure the appliance has not been damaged during transport.
- Install the appliance on a horizontal surface out of reach of children as certain parts of the grill become extremely hot during use.
- Before plugging into the mains, make sure that:
 - the mains voltage corresponds to the value V indicated on the rating plate on the bottom of the appliance;
 - the mains socket has a minimum rating of 10A;
 - the plug is suitable for the socket. If this is not the case, have the plug replaced.
 - **the plug is efficiently earthed.** The manufacturer declines all liability for damage deriving from failure to observe this safety rule.
- To eliminate the "new" smell when using the appliance for the first time, operate it open in the barbecue position (see page 3, position 3) without food for at least five minutes. During this operation, ventilate the room.

WORKING POSITIONS

Your appliance is designed for use in one of three positions:

C O N T A C T

Ideal for meat, vegetables, polenta and sandwiches (**position one**, page 3).

T O B R O W N

Ideal for fish and pizza (**position 2**, page 3). To use the grill in these positions, lift the top section of the appliance upwards with one hand and rotate towards you, while holding the appliance still by gripping the drip tray handle with the other hand. The top position is suitable for browning thicker foods.

GRILL - BARBECUE

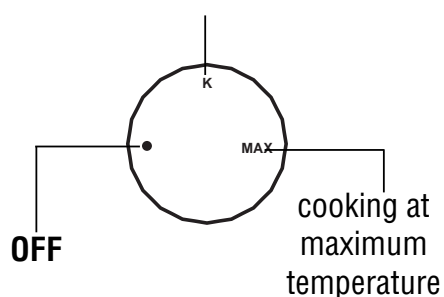
Use this position for all types of cooking with the exception of pizza (**position 3**, page 3). To obtain this position open the steak grill completely.

DESCRIPTION OF THE THERMOSTATS (D1 AND D2)

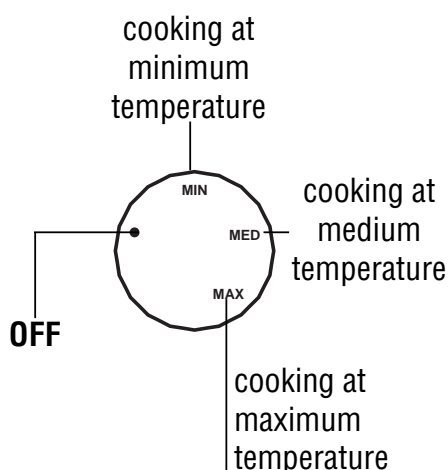
D1 - TOP PLATE THERMOSTAT

K = Keep Warm

use with the appliance in position 3 only, resting the food on the top plate.



D2 - BOTTOM PLATE THERMOSTAT



USE

- Make sure the drip tray is positioned correctly.
- Plug in and adjust the two thermostats (bottom plate and top plate) to the required position according to the food to be grilled (see table). Procedures for preheating the appliance vary depending on the position of the plates:

Positions 1/2: preheat the plates in the closed position until the thermostats trip;

Position 3: preheat the plates in the open position until each of the two thermostats trips.

When the appliance is used in position 1, you are recommended to adjust the thermostat to Max to ensure even cooking;

- When both two plates have reached the required temperature, the corresponding indicator light goes out;
- Place the food to be grilled on the grill plates.
- To turn the appliance off, rotate the two thermostat knobs into the OFF position.
- After cooking, unplug the appliance and leave to cool.
- To keep previously grilled food hot (with the appliance in position 3), place the top plate thermostat in the "K" position and rest the food on the top plate.

CLEANING

- **Before cleaning the appliance, always unplug from the mains socket and allow to cool.**
- Cleaning the grill every time you use it avoids smoke and unpleasant smell the next time you cook.
- Using the catches (**G**), the grill plates can be removed and washed in hot water or a dishwasher.
- Leave the grill plates to soak in hot water for a few minutes to soften any solid residues left after cooking.

Never touch the plates with sharp utensils to avoid damaging the coating.

COOKING TIPS

- **Model CG660 only:** the plates have a smooth side to cook eggs, bacon and toast and a ribbed side for grilling. You can choose the most suitable side for cooking by simply unhooking the plates and re-attaching them on the required side **making sure the fat drainage guides are towards the inside (fig. 1).**
- Dry defrosted or marinated food before placing on the grill plates.
- Add herbs and spices to the meat before cooking, salt on serving.
- When using the "contact" position, the pieces to be grilled should be of the same thickness to ensure more even cooking.
- When cooking fish, the plate the fish rests on (I) must always be oiled.
- Some examples of how to use your steak grill are given below.

The times given in the following table are indicative only. They may vary according to the characteristics of the food (initial temperature, water content) and individual tastes.

- Never use utensils or abrasive cleaning products as these could damage or scratch the special non-stick coating.
- Replace the grill plates in the appliance only when clean and perfectly dry, making sure they are firmly fixed in place.
- To empty or clean the drip tray, remove by pulling the handle outwards. To replace, perform this operation in reverse, pushing it in as far as it will go.

FOOD (quantity)	TEMP. BOTTOM GRILL PLATE	TEMP. TOP GRILL PLATE	GRILL POSITION	TIME	NOTES AND TIPS
Chops (1)	max	max	1	6'-8'	The chops must be of an even thickness
Hamburgers (2)	max	max	1	3'-5'	Cook with the plate closed for the first 2 to 3 minutes to avoid the burgers breaking up
Beef steak (1)	max	max	1	2'-3'	Cooking time for rare steak
Pork steak (1)	max	max	1	2'-3'	Cooking time for rare steak
Spare ribs (3)	max	max	1	15'-18'	Turn the spare ribs over after 10 minutes
Liver (2)	max	max	1	2'-3'	Wash the liver well
Kebabs (3)	max	max	1	8'-10'	Turn after 4 to 5 minutes
Chicken (1kg)	max	max	1	75'-80'	Open out in half. Do not turn
Frankfurters (3)	max	max	1	3'-5'	Cut in half
Sausages (2)	max	max	1	4'-6'	Cut in half
Long sausage	max	max	1	7'-9'	If necessary, cut in half
Salmon trout fillet (1)	med	max	2	16'-20'	Oil the plate and turn halfway through cooking
Slice of salmon (1)	med	max	2	16'-20'	Oil the plate and turn halfway through cooking
Sole (1)	med	max	2	18'-22'	Oil the plate and turn halfway through cooking
Waffles (15)	med	max	2	12'-15'	Do not oil. Do not turn
Aubergines (6 slices)	max	max	1	6'-8'	Cut into even pieces
Courgettes (7 slices)	max	max	1	6'-8'	Cut into even pieces
1 pepper (quarters)	max	max	1	6'-8'	Close the plate and press down as far as it will go
Onions (slices)	max	max	1	6'-8'	Cut into even pieces
Polenta (slices)	max	max	1	20'-25'	Cut to a thickness of 1.5 cm. Cook with plate closed for the first 15 mins
Filled rolls	max	max	1	3'-9'	Use soft rolls
Toast	max	max	1	2'-3'	Use half a cheese slice only for each sandwich
Pizza	med	max	2	40'-45'	Remove the bottom grill plate and cover with the pizza dough. Reposition the plate and add your preferred topping.